



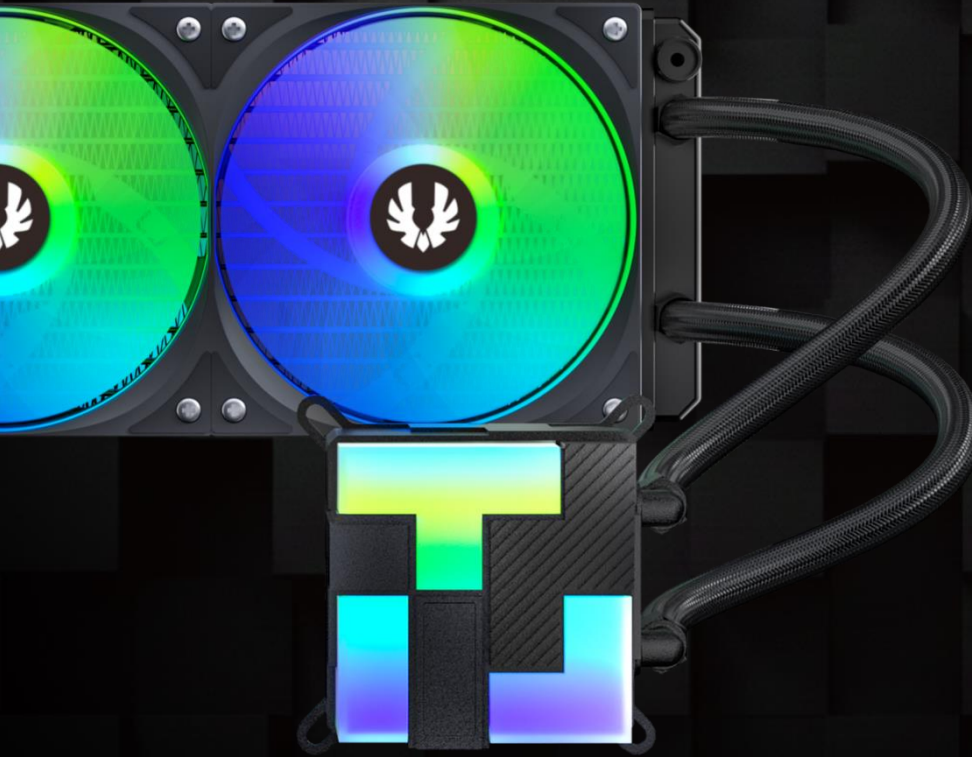
PUZZLE

ALL-IN-ONE 240/360 MM LIQUID COOLER



Bitfenix Puzzle

Puzzle is the newest addition to BitFenix's highly acclaimed fourth-generation liquid cooling lineup. Featuring a Rubik's Cube-inspired pump design and high-performance ARGB fans, it offers gamers a premium yet affordable solution for powering and showcasing high-end CPUs with striking style.



Support Motherboard-Brand Lighting Synchronization: Asus/Gigabyte/MSI/ASRock/BioStar...and other brands can support.

Introducing Water Block Connector Cables



ARGB Header

Connects to the motherboard's ARGB 3-pin socket



PUMP Header

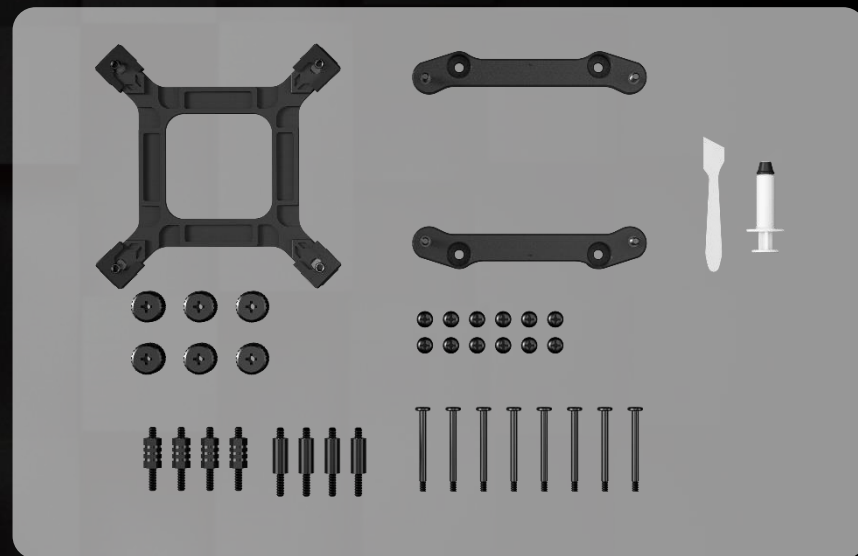
Connects to the motherboard's pump/fan/extension cable Y-header

73.7 x 73.7 x 62.6mm



Third Generation Pump

In order to match the latest top-level CPUs, we have developed a brand new pump based on the popular pump architecture. It has the ultimate specifications of **2500RPM**.



Socket compatibility	Intel: 1851 / 1700 / 1200 / 1150 / 1151 / 1155 AMD: AM5 / AM4
Pump speed (rpm)	2500 ±10 rpm
Pump adjustable	9V - 12V
Pump connector	3-pin
Tube length (mm)	Tube length (mm) 390
Noise level	30dB
Refill port	✓



360mm

360 Radiator specifications

Dimensions (H x W x D), (mm)	397 x 120 x 27
Radiator material / finish	aluminum / black or white spray painted
Base material / finish	copper / nickel plating



240mm

240 Radiator specifications

Dimensions (H x W x D), (mm)	273 x 120 x 27
Radiator material / finish	aluminum / black or white spray painted
Base material / finish	copper / nickel plating



120mm



Newly Designed High Pressure Fan

Newly designed high pressure fan together with the specially designed radiator, BitFenix also launched a brand new fan design.

This newly designed seven-leaf fan has a CFM and DB that are not inferior to anyone, and **the wind pressure generated outside is as high as 2.27MM-H2O**. The high-pressure fan is used to penetrate the radiator with high-density and heightened heat dissipation fins. With the no noise design in 400DB mode, the whole AIO system can better meet the low noise level needs of the user.

Fan model	ARGB 120mm PWM high- pressure Fan
Fan dimensions (mm)	120 x 120 x 25
Speed @ 100% PWM (rpm)	800-1800 ±10% RPM
Bearing technology	Hydraulic Bearing
Rated Voltage (V)	12 Start voltage(V) ≤5V (Power ON/OFF)
Rated current (A)	0.35A
Power consumption (W)	5.4W
Connector	4-pin PWM
Max. air flow	75.48CFM
Air Pressure	2.27MM-H2O/ Noise 31.8dB/ ARGB Fan
Extension Cable length (mm)	350/ 380 mm
Power Extension Cble length (mm)	390mm ±10



PUZZLE

All-In-One 240 / 360mm
LIQUID COOLER

Puzzle 240

Part Number	BFW-PUZ-240-BB27A-RP
EAN / UPC	4716779449082 / 886027012987

Puzzle 360

Part Number	BFW-PUZ-360-BB27A-RP
EAN / UPC	4716779449099 / 886027007426

